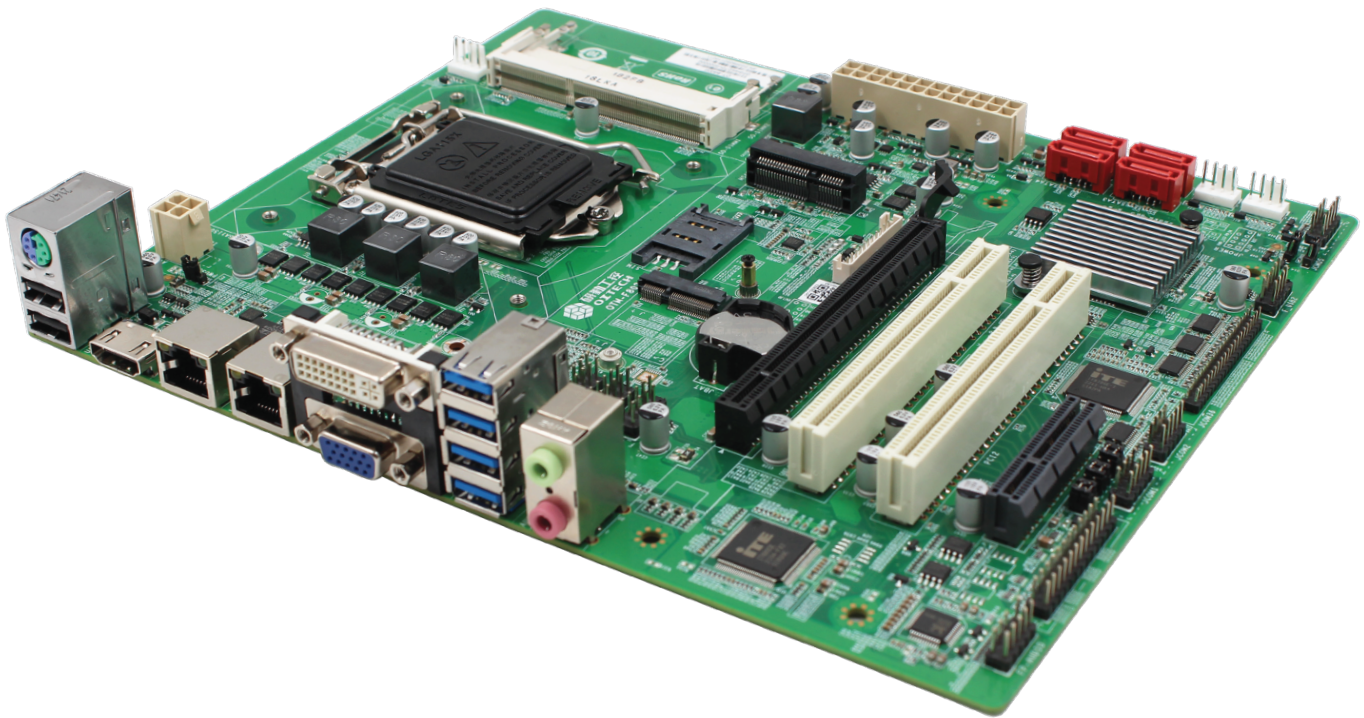


HWD-70

Intel Haswell LGA1150 based Embedded Micro ATX
Motherboard with PCH B85



Features

- CPU: Intel Haswell CPU + PCH B85
- Memory: Dual Channel SO-DIMM DDR3 up to 16 GB
- Display: Display via 1xHDMI1.4+1xDVI-D+2xVGA (1*onboard pins)
- Ethernet: 10/100/1000 Mbps
- Storage: SATA3.0, SATA2.0, mSATA,
- Expansion: M.2, PCIe4X, PCIe16X, PCI
- Power: ATX_24PIN + 4PIN



IoT Solutions
Alliance
Industrial Solution
Builders Specialist

Maxtang[®]

MAXIMIZING YOUR COMPUTING PRODUCTIVITY

Introduction

The HWD70 is a micro ATX motherboard based on the Intel Haswell LGA1150 CPU with a B85 chipset, which provides a complete PC platform with powerful performance. The board supports up to 16GB of two SO-DIMM DDR3 memory with multiple displays via 2xVGA+HDMI+DVI. It has two 1-Gigabit Ethernet controllers, M.2 for Wi-Fi; PCI and PCIe for expansion, 4xSATA, and 1x mSATA for storage. A rich interface includes 6x COM, 6 x USB2.0, 4 x USB3.2 Line-out, and Mic-in caters to most market requirements. It is designed with a rich interface to meet all kinds of applications like data processing, transmission, and displaying.

The HWD 70 is an ideal solution for various industrial uses. It retains the robust design just like all other Maxtang products with cost advantages. Our goal is to provide you with a great customer experience with a great product base on flexibility and reliability. Its high performance and low power consumption reach a balance and make it suitable for various complicated scenarios. We could help you customize the board based on what fits the best for your applications with the lowest costs.



H/W Monitor



Watchdog

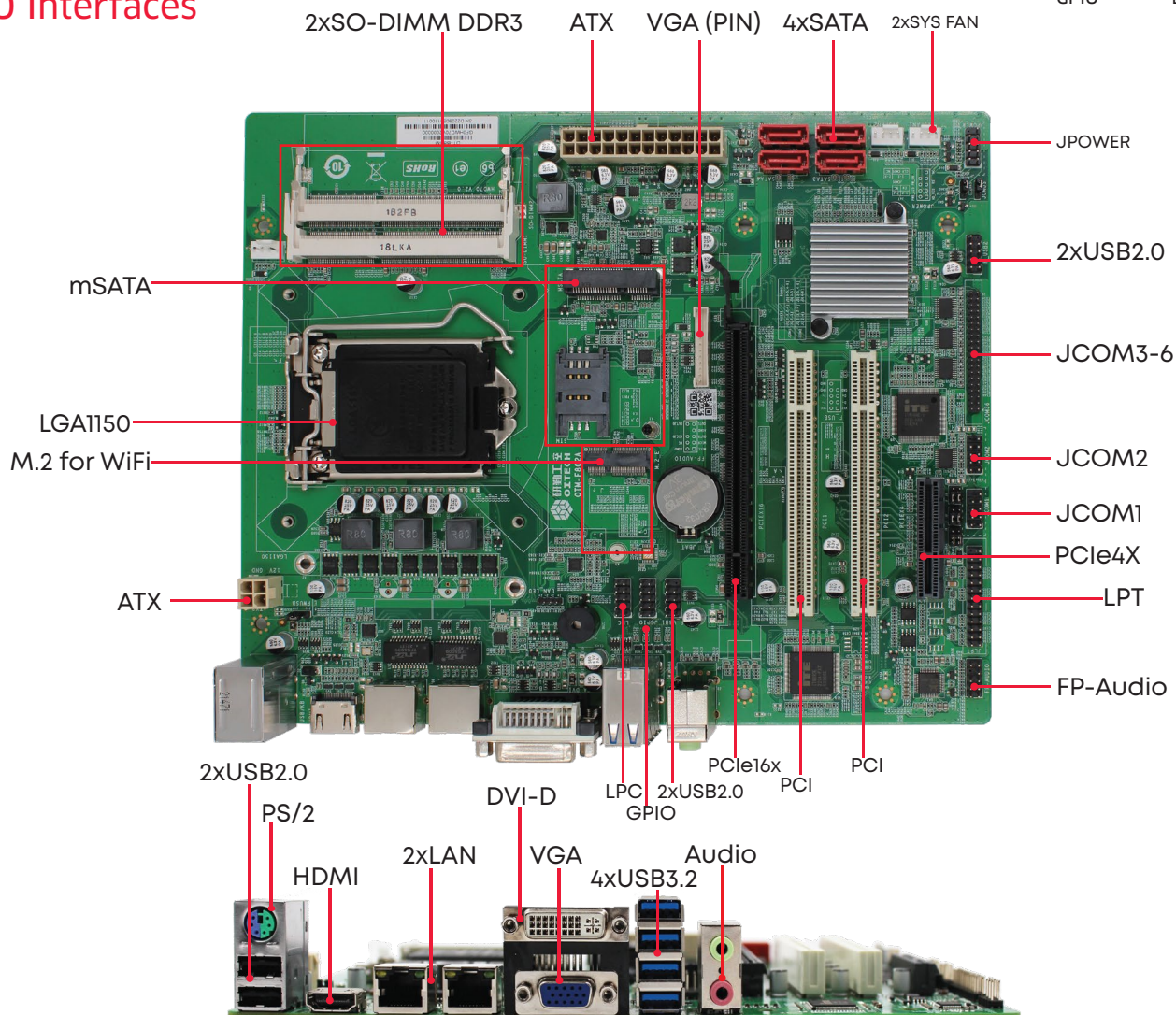


GPIO



Brightness

I/O Interfaces

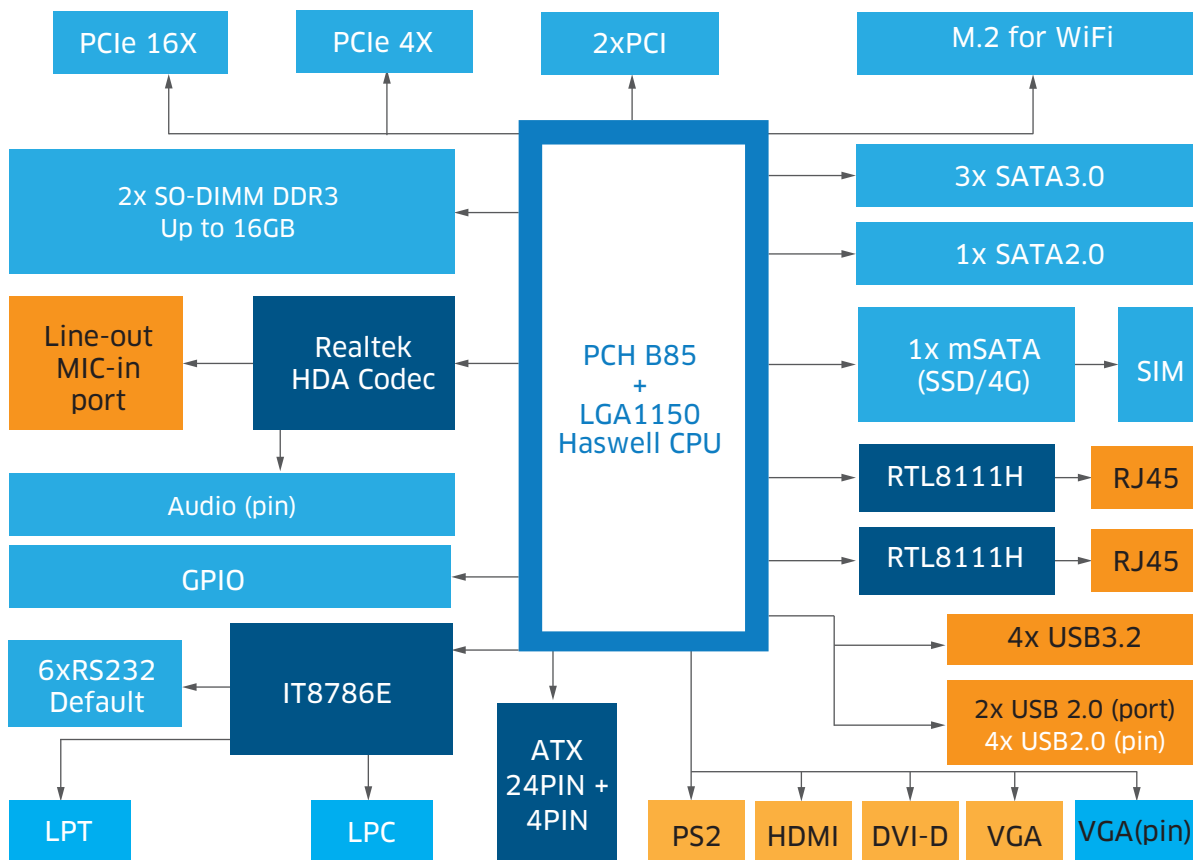


Technical Specifications

Processor	CPU	Intel Haswell LGA1150 Processor
	Chipset	PCH B85
	BIOS	AMI UEFI BIOS
Memory	Type	Dual Channel SO-DIMM DDR3
	Max Capacity	16GB
Display	GPU	Intel HD Graphics based on CPU
	Port	1x HDMI + 1x VGA + 1x DVI-D+ 1x VGA (on-board pin)
Ethernet	Speed	10/100/1000 Mbps
	Controller	RTL8111H
	Interface	2xRJ45
Audio	Audio Codec	Realtek HD
	Interface	Line-out, Mic-in, Audio header
Hardware		CPU and system temperature, on-board voltage, watchdog
Storage	SATA	1x SATA2.0 + 3x SATA3.0
	mSATA	1x mSATA for SSD/4G module optional
Expansion	M.2	1x M.2_E 2230 for Wi-Fi
	PCI	2
	PCIe	1x PCIe16X +1x PCIe4X
I/O Interface	LAN	2
	COM	6xCOM: 6*RS232 default. The COM1, COM2 can be set as RS485 by jumper; optional RS422 through hardware changes.
	USB2.0	6 (2*ports+ 4*header)
	USB3.2	4
	Audio	1x Mic-in + 1x Line-out
	PS/2	1
	GPIO	8
	LPT	1
	LPC	1
	Dimension	Size
Board Type		Micro ATX
Power	Standard Port	ATX_24PIN + 4PIN
Temperature	Operating Temp.	- 20°C to 60°C
	Storage Temp.	- 40°C to 80°C
Operating System		Windows 7/8.1/10, Linux

* All specifications and photos are subject to change without notice.

Functional Block Diagram



Order Information

Model Name	Description
DT-B85M	DT MATX Intel B85 HWD70 2LAN 6*RS232 1VGA+1HDMI+1DVI PCIEx16+PCIEx4+PCI

*For customized options, please consult regional sales. And please confirm the model name and description before purchasing. *The model name and description might vary due to inventory changes.

Copyright © 2022 Maxtang Technology Co. Ltd. All rights reserved. All data is for information purposes only and not guaranteed for legal purposes. Information has been carefully checked and is believed to be accurate however, no responsibility is assumed for inaccuracies. Maxtang and the Maxtang logo and all other trademarks or registered trademarks are the property of their respective owners and are recognized.